



# BUILT-OUT DENTAL SUITE FOR LEASE

YOUR  
SIGN  
HERE

## WHAT MATTERS TO YOU >

### LOCATION

HIGH-VISIBILITY LOCATION ON CENTREVILLE RD WITH STRONG TRAFFIC COUNTS WITH ACCESS TO ROUTES 50 AND 28

### SIZE

3,294 RSF

## CHANTILLY PROFESSIONAL BUILDING

3910 CENTREVILLE RD, SUITE 200  
CHANTILLY, VA 20151

### ADDITIONAL FEATURES

- Move-in ready fully built-out dental suite - ready for immediate occupancy
- Modern clinical layout with 8 operatories (7 windowed), waiting area, reception area, sterilization, lab, office with private bathroom, washer/dryer hookup, manager office and in suite bathroom
- Ample on-site parking for patients and staff
- Prominent building signage facing Centreville Rd for excellent visibility
- Surrounded by numerous shopping, dining, retail, and hotel options
- Located in a strong, established residential and commercial corridor
- Perfect for general dentistry, specialty dentistry, orthodontics, endodontics, or other medical practices



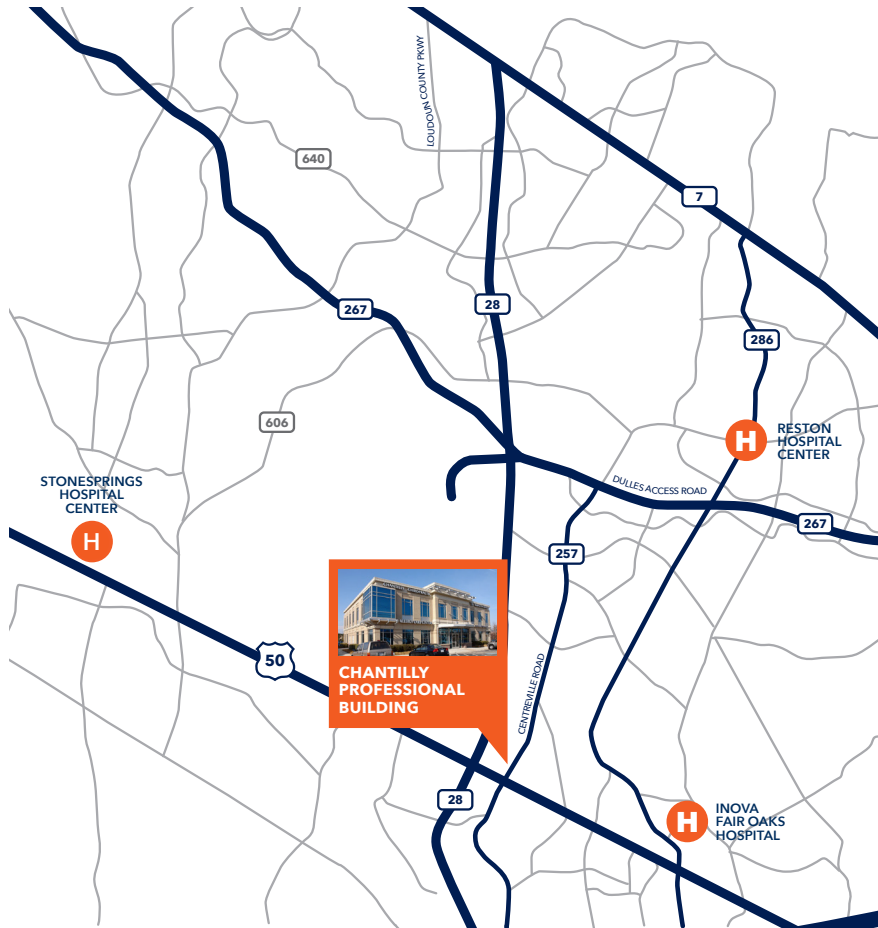
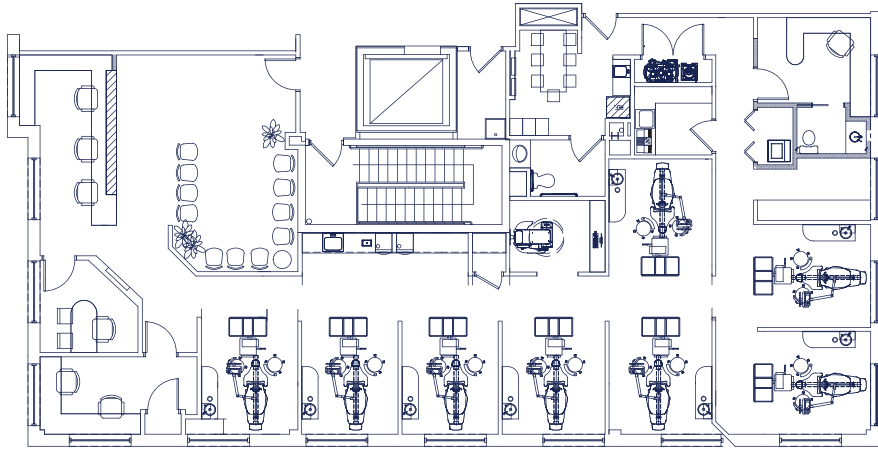
3 Bethesda Metro Center, Suite 700 // Bethesda, MD 20814  
301.235.1300 // gzrealty.net

CONTACT US TODAY

**MICHAEL FRIEDLANDER**  
MICHAEL@GZREALTY.NET

**ANDREW PAPANTONIOU**  
ANDREW@GZREALTY.NET

# Suite 200 | 3,294 RSF



3 Bethesda Metro Center, Suite 700 // Bethesda, MD 20814  
301.235.1300 // gzrealty.net

CONTACT US TODAY

**MICHAEL FRIEDLANDER**  
MICHAEL@GZREALTY.NET

**ANDREW PAPANTONIOU**  
ANDREW@GZREALTY.NET